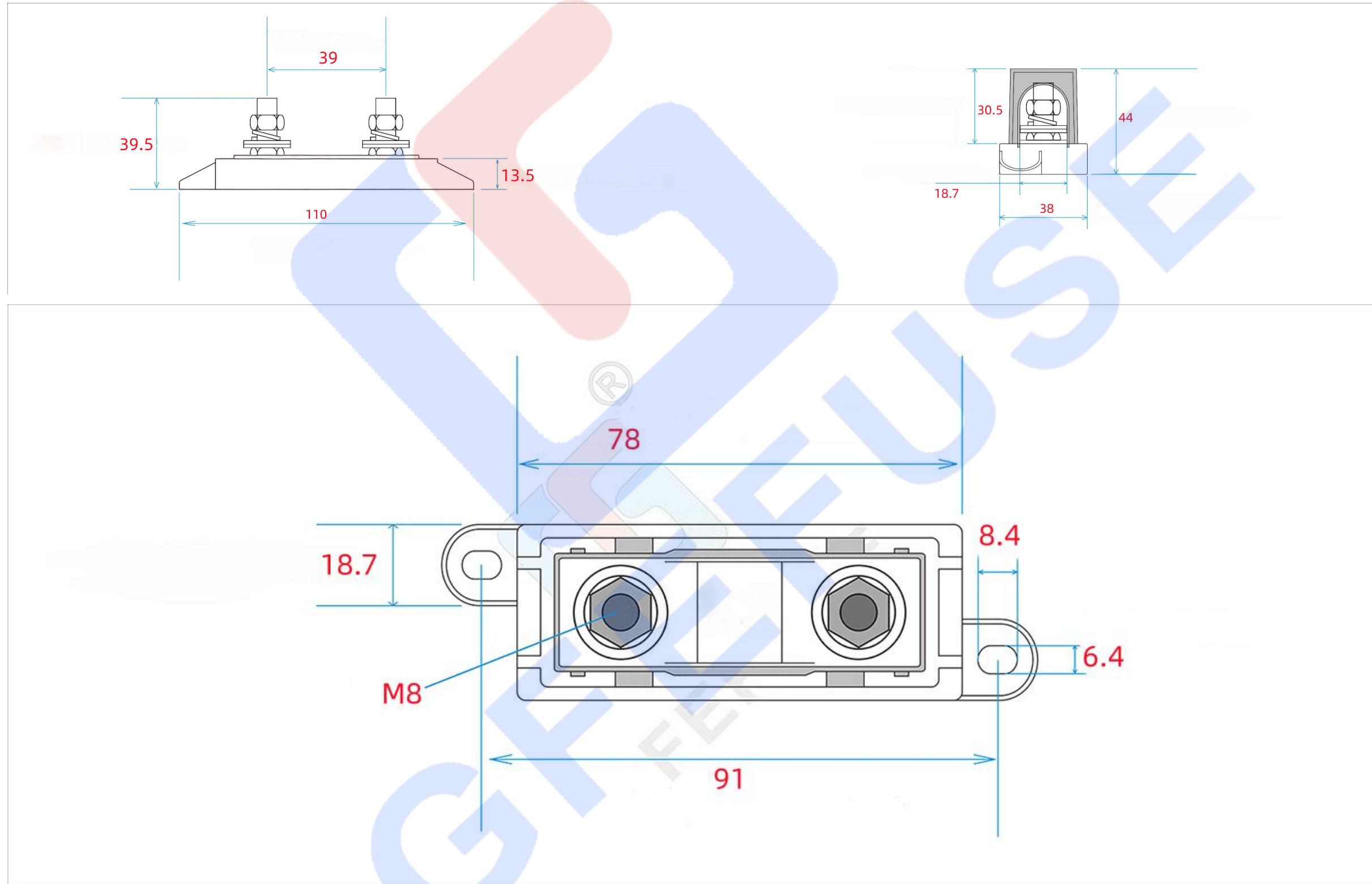


GFEV(B150) Bolt-on Fuse holder

1. Product Dimensions



2. Product introduction

- 1. Product model; GFEV (B150) Bolt-on Fuse holder
- 2. Base: PPS V0
- 3. Top cover: PC V0
- 4. Fasteners: 8.8 grade high strength screw, stainless steel nut
- 5. The product is heat-resistant, with a normal operating temperature range of -40°C to $+180^{\circ}\text{C}$ degrees Celsius
- 6. Electrical Performance
 - 1. Voltage: 12V-500V (DC)
 - 2. Current: 50A-800A (DC)
- 7. Applicability: GFEFUSE[®] Brand (ANL-B150SF39 ANL-B100BSF39 Series Series Bolt-on Fuse And Ess Fuse)
- 8. Applications: Automobiles, batteries, new energy vehicles, power supplies, chargers, electric motorcycles, energy storage equipment, base stations, communication equipment, ships, yachts, etc., for modification and system protection settings.

Tips: Dimension changes are not notified